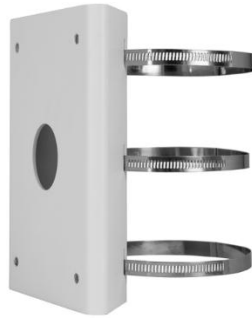


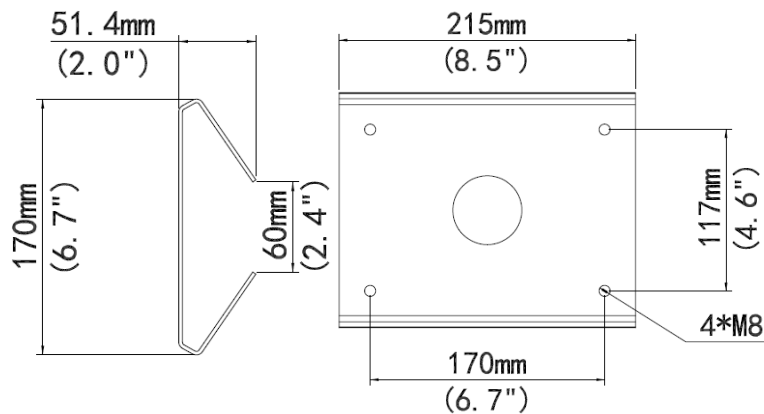
TR-UP08-A-IN Pole Mount Adapter



Specifications

| | |
|-----------------------|--|
| Bracket | TR-UP08-A-IN |
| Application | Indoor or outdoor, pole installation for PTZ dome camera |
| Dimensions(L × W × H) | 215mmx170mmx52mm (4.7"x4.7"x2.1") |
| Weight | 1.47kg(3.2lb) |
| Material | aluminum alloy |

Dimensions



Zhejiang Uniview Technologies Co.,Ltd.

South Tower, Building 10, Wanlun Science Park, 88 Jiangling Road, Hangzhou, P.R.China 310051

Email: overseasbusiness@uniview.com; globalsupport@uniview.com

<http://www.uniview.com>

©2015 Zhejiang Uniview Technologies Co.,Ltd. All rights reserved.

*Product specifications and availability are subject to change without notice.